



ONELIFE OTTOMAN TV BED

DOUBLE AND KING SIZE

PLEASE READ this sheet prior to assembly to familiarise yourself with the various stages of construction.

Carefully open the pack supplied and check the contents against the parts and fittings check list. Do not destroy any of the packaging until you are certain that you have all the necessary parts for the assembly.

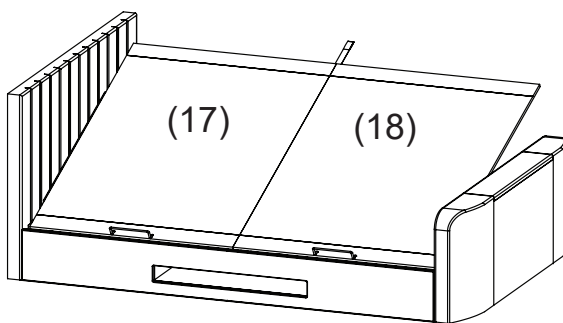
Please ensure that the packaging is disposed of in a safe and environmentally friendly way.

CAUTION: There are small components used in the construction of this unit. These loose items should be kept away from children during assembly, to avoid the danger of choking.

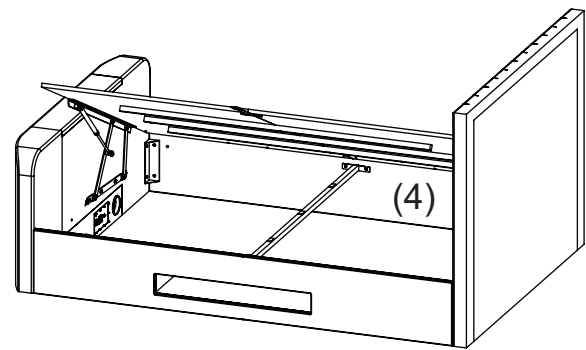
It is possible to assemble the mattress base boards to left side or right side of the bed, from whichever side access is needed.

The media tray can also be fitted to left or right side of the bed. It must always be fitted as shown, towards the foot end of the bed.

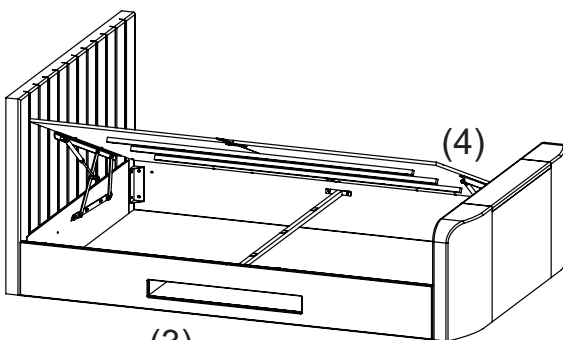
IMPORTANT: BEFORE STARTING TO ASSEMBLE THE BED - PLEASE READ THESE INSTRUCTIONS CAREFULLY.



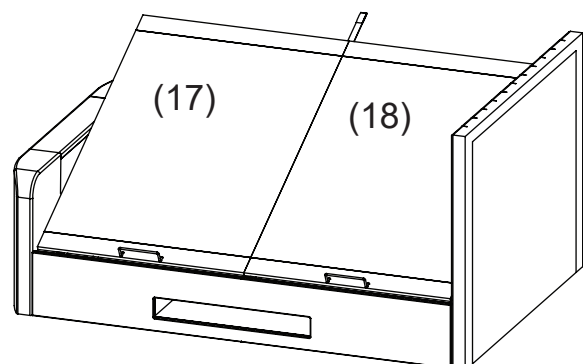
Left Side (3)



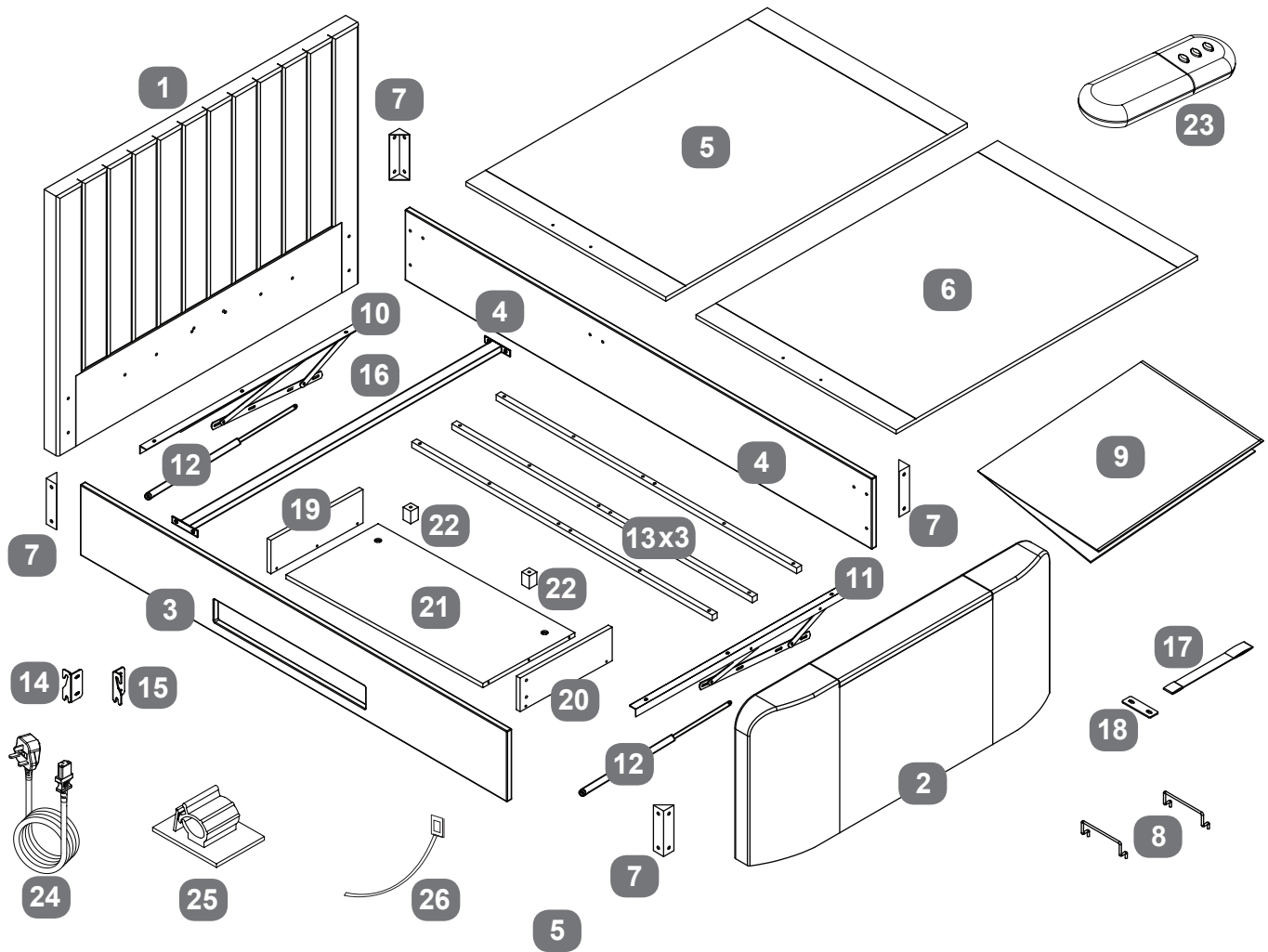
Right Side (3)



(3)



Parts Identification



Parts Checklist

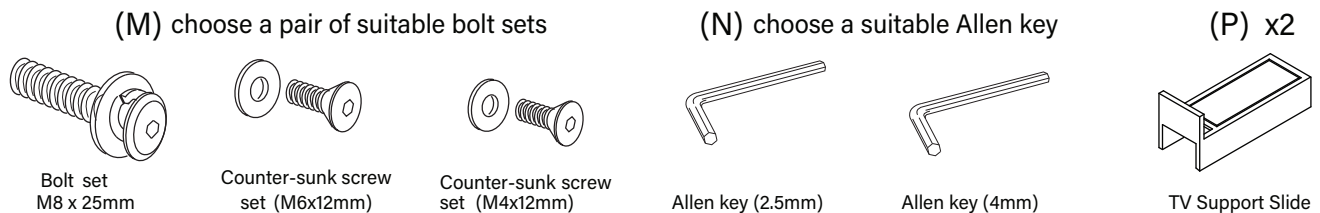
| Ref. | Description | Qty | Box | Ref. | Description | Qty | Box |
|------|--------------------------------------|-----|-----|------|------------------------------------|-----|-----|
| 1 | Headboard | 1 | 1 | 14 | Fixing Bracket for Media Tray - LH | 1 | 2 |
| 2 | Footboard | 1 | 2 | 15 | Fixing Bracket for Media Tray - RH | 1 | 2 |
| 3 | Side Rails With Media Tray | 1 | 3 | 16 | Cross Bar | 1 | 2 |
| 4 | Side Rail Without Media Tray | 1 | 3 | 17 | Fabric Hand Strap | 1 | 2 |
| 5 | Mattress Base Board | 1 | 1 | 18 | Metal Plate for Fabric Hand Strap | 1 | 2 |
| 6 | Mattress Base Board | 1 | 1 | 19 | Media Tray LH Side | 1 | 4 |
| 7 | Angled Side Rail Fixing Bracket | 4 | 2 | 20 | Media Tray RH Side | 1 | 4 |
| 8 | Mattress Stopper | 2 | 2 | 21 | Media Tray Base | 1 | 4 |
| 9 | Fabric Base Cover | 1 | 1 | 22 | Media Tray Support Leg | 2 | 2 |
| 10 | Lift Mechanism | 1 | 2 | 23 | TV Lift Remote Control | 1 | 2 |
| 11 | Lift Mechanism | 1 | 2 | 24 | Main Power Lead 3 mt | 1 | 2 |
| 12 | Gas Lift Piston | 2 | 2 | 25 | Cable Clip | 3 | 2 |
| 13 | Support Rail for Mattress Base Board | 3 | 2 | 26 | Cable Tie | 3 | 2 |

Fittings Checklist

HARDWARE NEEDED FOR BED ASSEMBLY

| Code | Description | Qty | Box | Code | Description | Qty | Box |
|------|---|-----|-----|------|---|-----|-----|
| A | Bolts (M8x65mm) for fitting gas-lift mechanisms (10 or 11) to the HEADBOARD | x4 | 2 | F | Plastic spacer for gas-lift mechanisms | x8 | 2 |
| B | Bolts (M8x20mm) for fitting side rails (3 & 4) to head & foot boards | x36 | 2 | G | Nuts for M8 bolts | x8 | 2 |
| C | Flat washers for M8 bolts | x70 | 2 | H | Allen key for M8 bolts | x1 | 2 |
| D | Spring washers for M8 bolts | x44 | 2 | J | Spanner for M8 nuts | x1 | 2 |
| E | Bolts (M8x35mm) for fitting gas-lift mechanism (10 or 11) to the FOOTBOARD and fitting support rails (13) to mattress base board (5 & 6) and fitting the media tray support legs (22) | x24 | 2 | K | Plastic barrel nuts for assembling the media tray | x6 | 2 |
| | | | | L | Screw (Ø4x40mm) for assembling the media tray | x6 | 2 |

TV installation kit hardware, packed inside the footboard - Pack 2



Care & Maintenance

In the unlikely event of missing or damaged parts, please contact your retailer. Please have this guide at hand quoting the part code reference numbers shown, when requesting spare or replacement parts.

General Hints & Tips

Please retain your assembly instruction and tools provided for future use. Periodically check that all bolts are still tight.

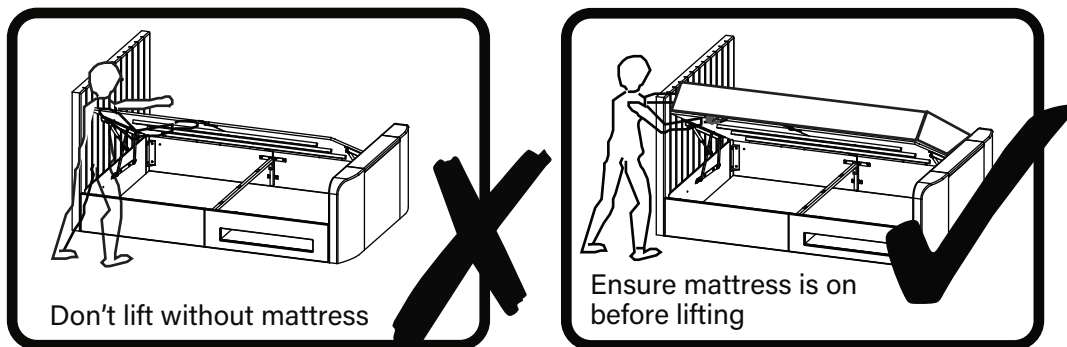


Approximate time to assemble this product

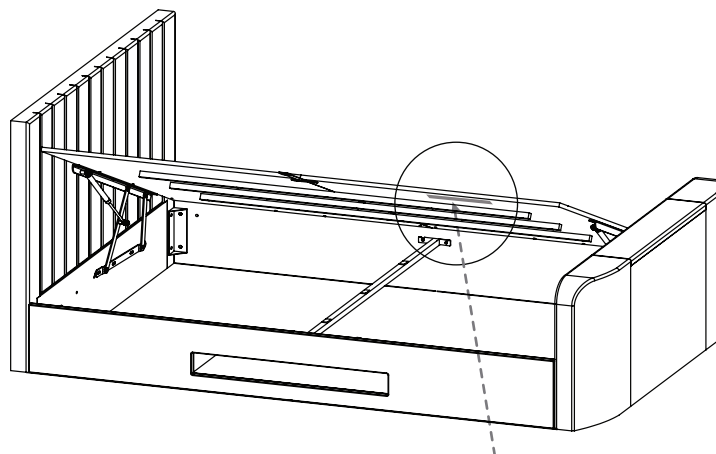
Warnings

- You must ensure that the mattress is on the bed frame before operating the lift mechanism, failure to do so could result in injury.
- Keep hands clear of the mechanism when opening or closing the ottoman.
- Beware of entrapment – Never reach in through the mechanism to access the storage area.
- Always ensure that the ottoman is FULLY opened before accessing the storage area.
- Do not exceed the maximum weight as specified in the table below:

| Bed | Bed Size | Min Weight (kg) | Max Weight (kg) |
|------------------------------|----------|-----------------|-----------------|
| ONELIFE OTTOMAN TV BED | Double | 15 | 50 |
| | King | 15 | 50 |



- Use caution when operating, always use the handle when lifting.
- Note: This bed uses a pressurised mechanism.
- To be operated by adults only
- Please ensure that children and pets are kept away from the bed when operating the mattress board lifting mechanism.
- Keep children and pets away from the storage area.
- Do not overload the internal storage base.
- Do not stand inside the internal storage area of the bed.
- Before removing the mattress secure the frame to ensure it does not open unexpectedly. Do not attempt to lie on the mattress when the ottoman is in the raised position.



NB - TO AVOID ACCIDENTS, PLEASE CAREFULLY READ EACH POINT:

THE LIFT UP FRAME IS INTENDED TO BE OPERATED BY ADULTS ONLY

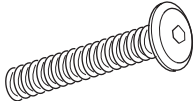





WHEN ACCESSING THE STORAGE AREA THE OTTOMAN FRAME MUST BE FULLY OPEN AND THEN FULLY CLOSED AFTERWARDS. BE CAREFUL WHEN LIFTING. LIFT ONLY WITH THE MATTRESS IN PLACE.

KEEP HANDS CLEAR OF THE MECHANISMS WHEN OPERATING THE LIFT-UP BASE SYSTEM. TO AVOID TRAPPING YOUR FINGERS, USE ONLY THE HANDLE OR HAND STRAP TO LIFT AND LOWER THE BASE.

DO NOT REACH INTO THE STORAGE AREA THROUGH THE HINGE MECHANISMS. KEEP CHILDREN AND PETS AWAY FROM THE MECHANISM AND STORAGE AREA. DO NOT STAND INSIDE THE INTERNAL STORAGE AREA OF THE BED. DO NOT OVERLOAD THE INTERNAL STORAGE BASE.

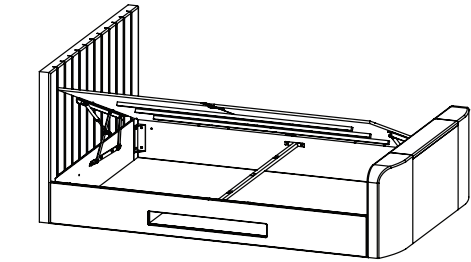
Stage
1a

OPEN FROM LEFT

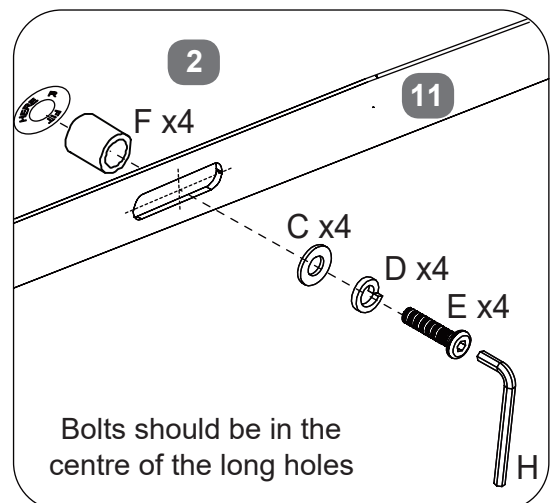
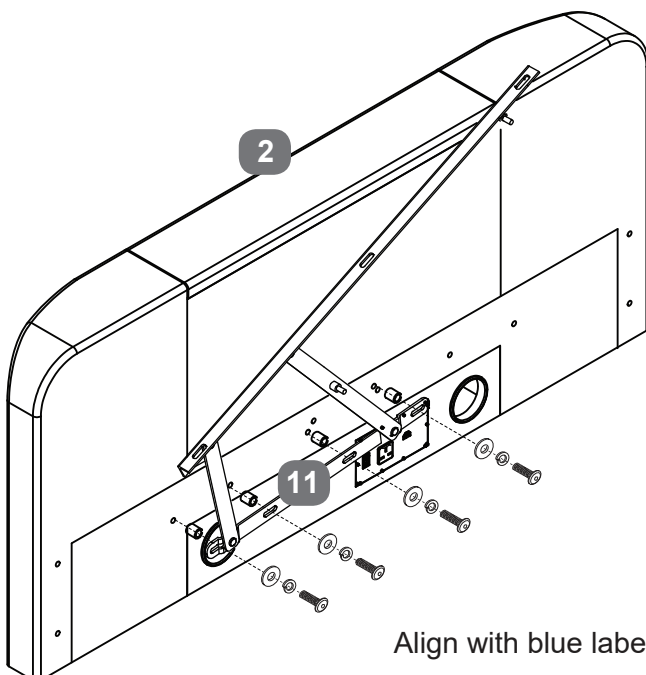
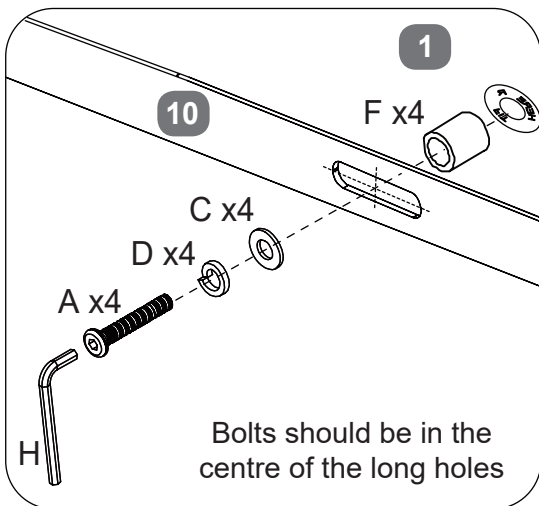
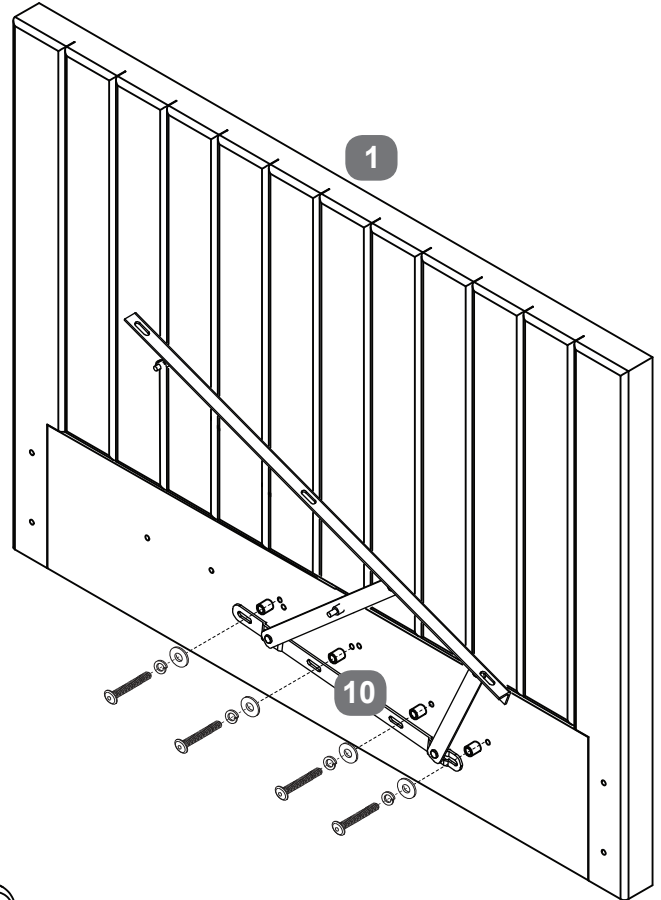
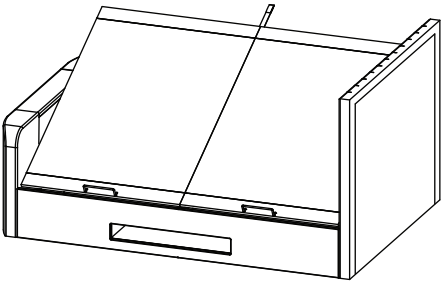
- A  x4
- C  x8
- D  x8
- E  x4
- F  x8
- H  x1

The mechanisms are labeled (10) & (11). Please carefully follow the diagram below and if access is needed from left side of the bed, fit both mechanisms to right side of the headboard & footboard. Please use the correct length bolts, carefully check the hardware list on page 3.

Bolt into the centre of the blue labeled holes marked (R), tighten x8 bolt sets 100%.



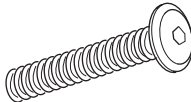




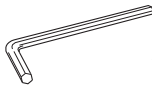
Left

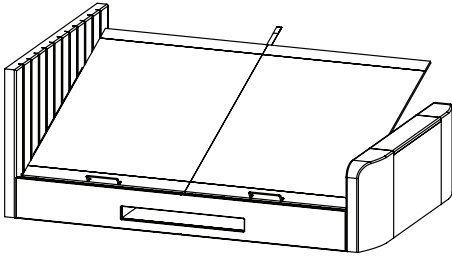


Bed Assembly

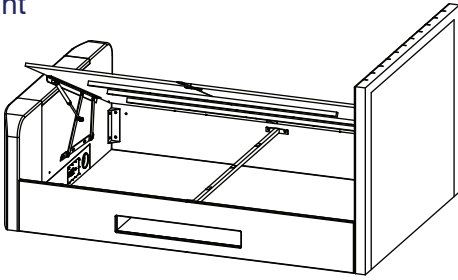
Stage
1b

OPEN FROM RIGHT

- | | | | | | | | | |
|---|---|----|---|---|----|---|---|----|
| A |  | x4 | C |  | x8 | D |  | x8 |
| E |  | x4 | F |  | x8 | H |  | x1 |

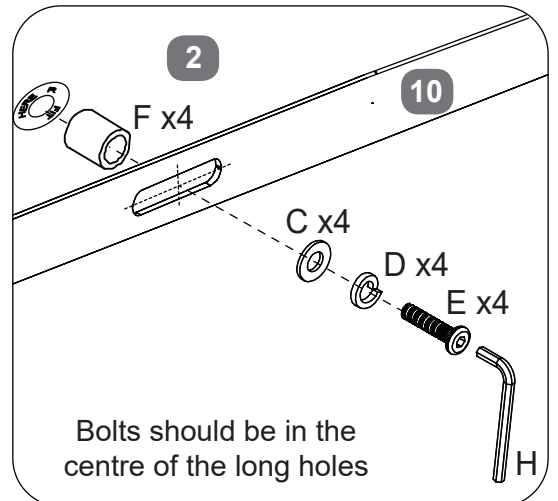
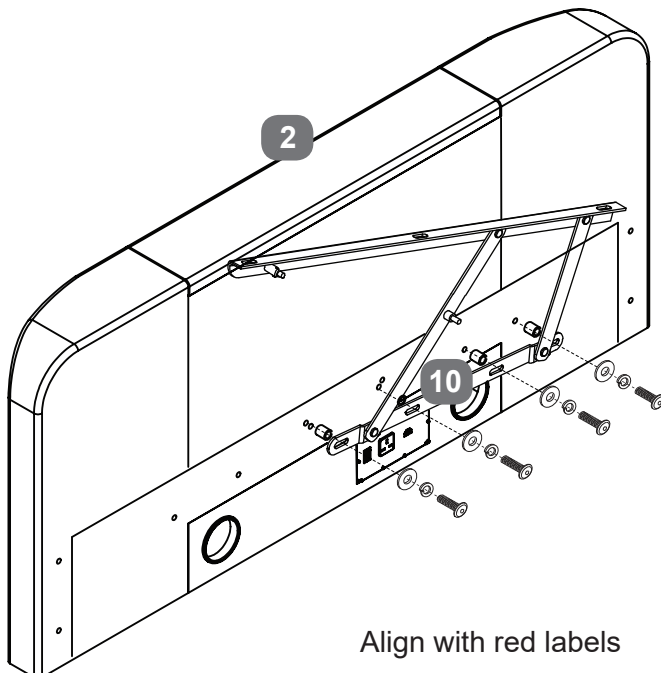
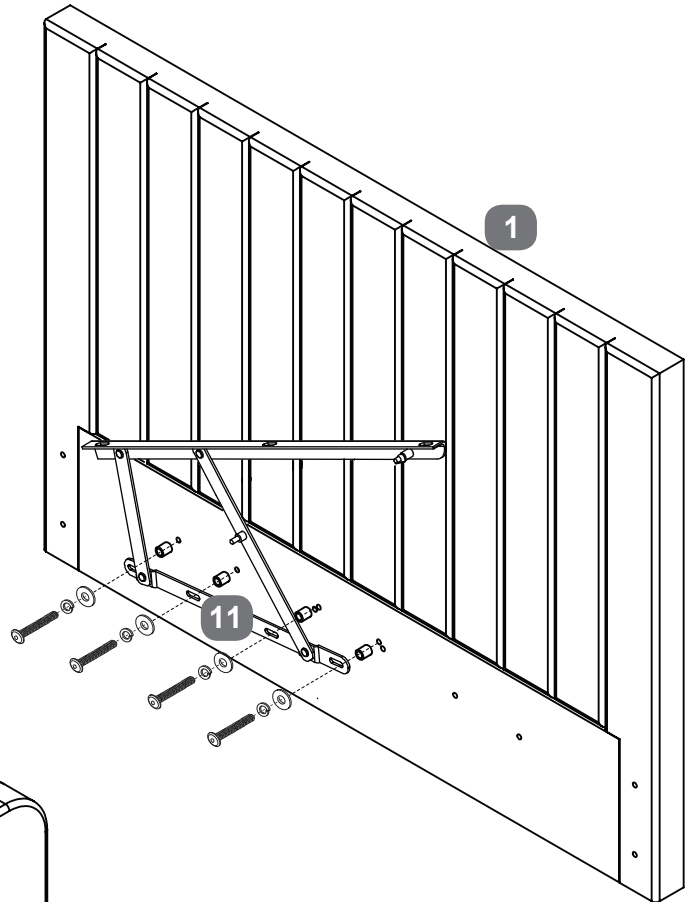
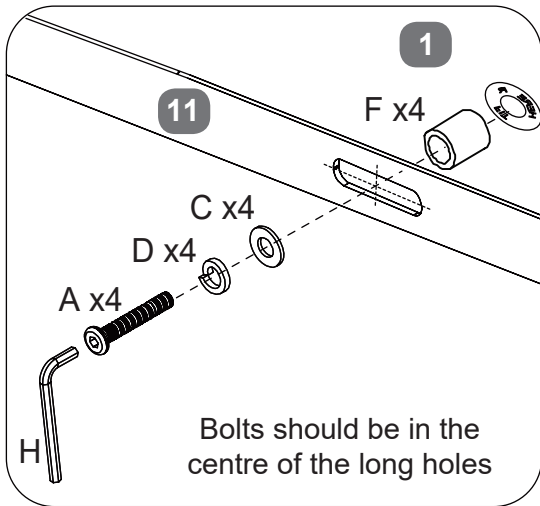


Right



The mechanisms are labeled (10) & (11). Please carefully follow the diagram below and if access is needed from the right side of the bed, fit both mechanisms to the left side of the headboard & footboard. Please use the correct length bolts, carefully check the hardware list on page 3.

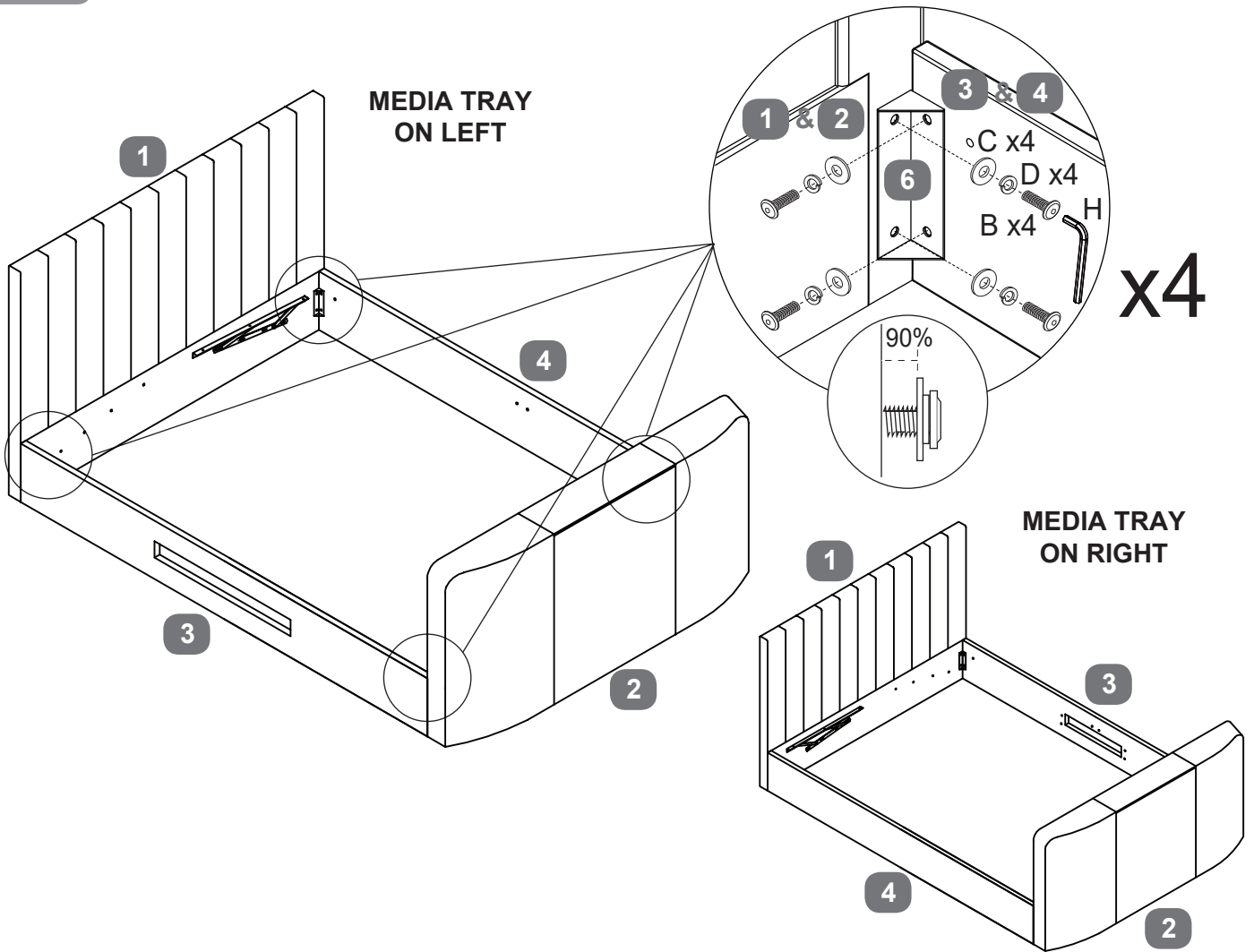
Bolt into the centres of the red labeled holes marked (L), tighten x8 bolt sets 100%



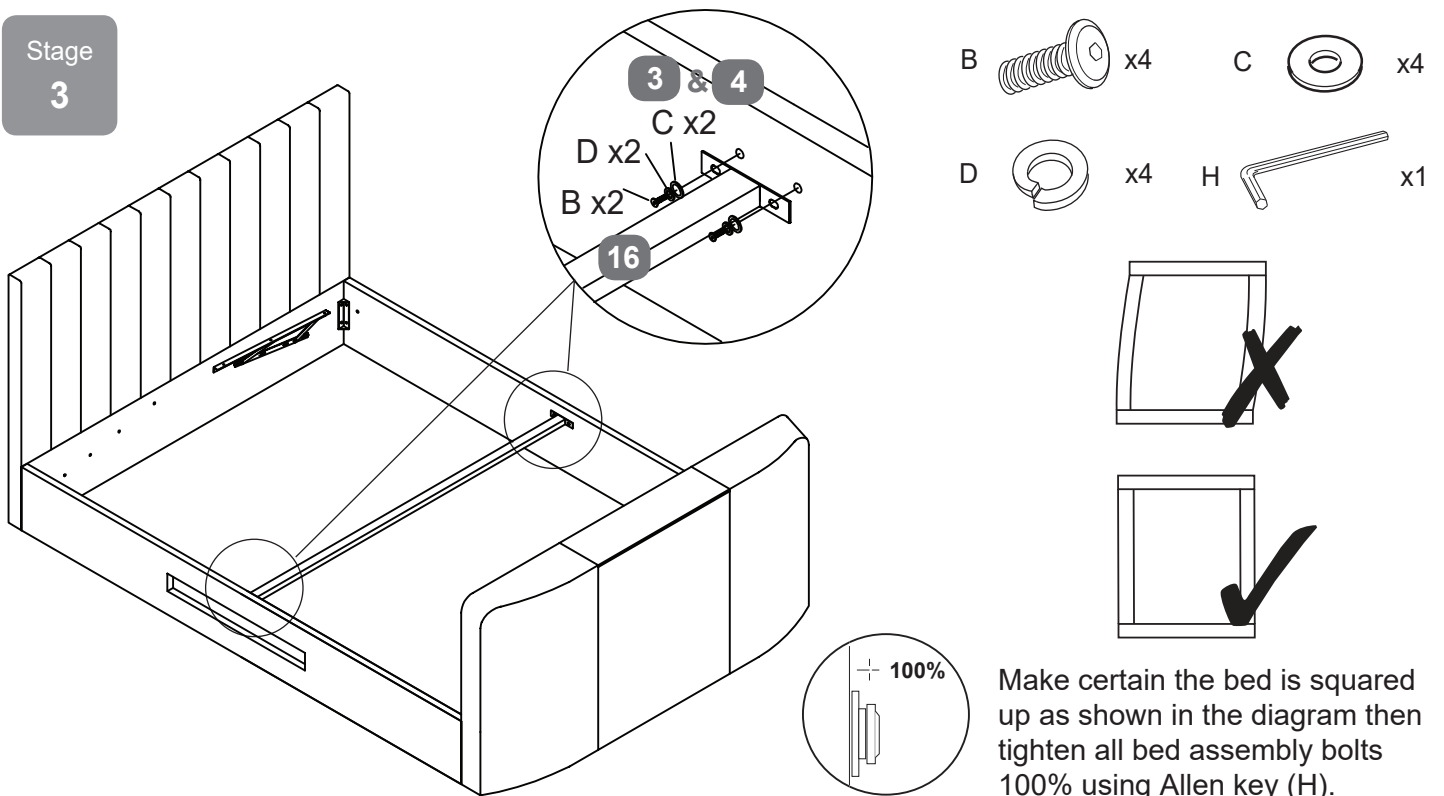
Bed Assembly

Stage
2

B  x16 C  x16 D  x16 H  x1



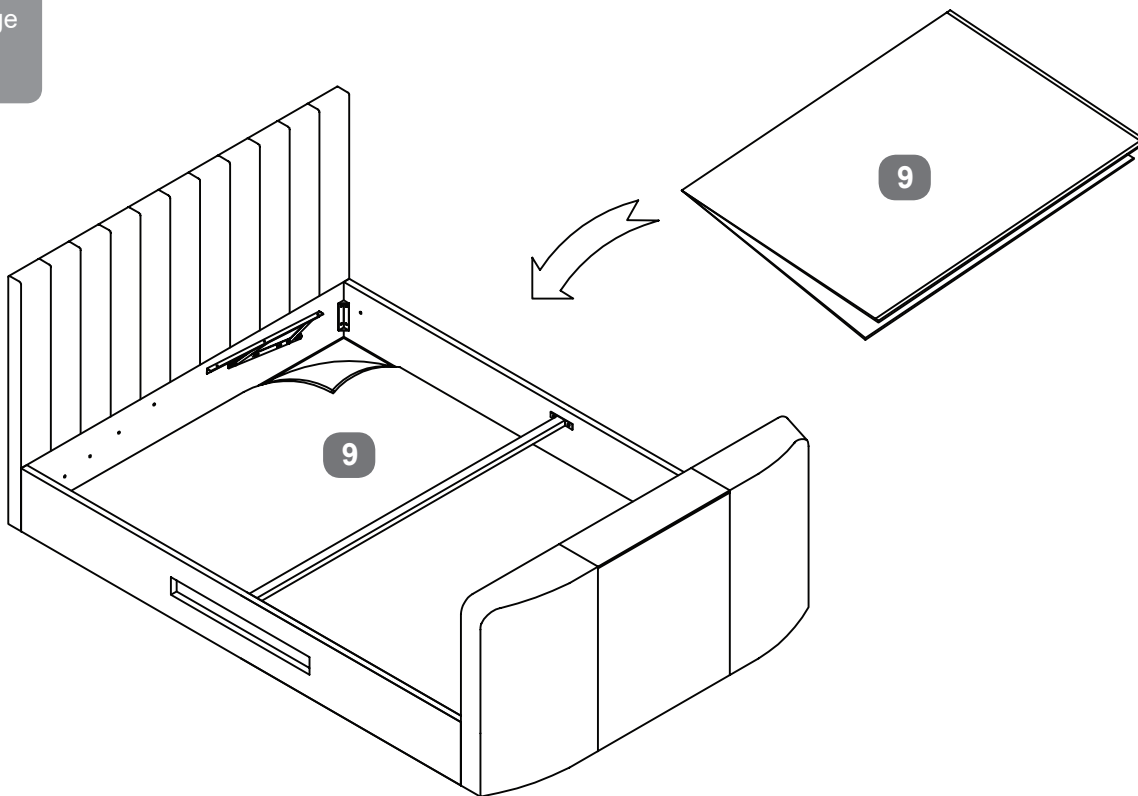
Stage
3



Bed Assembly

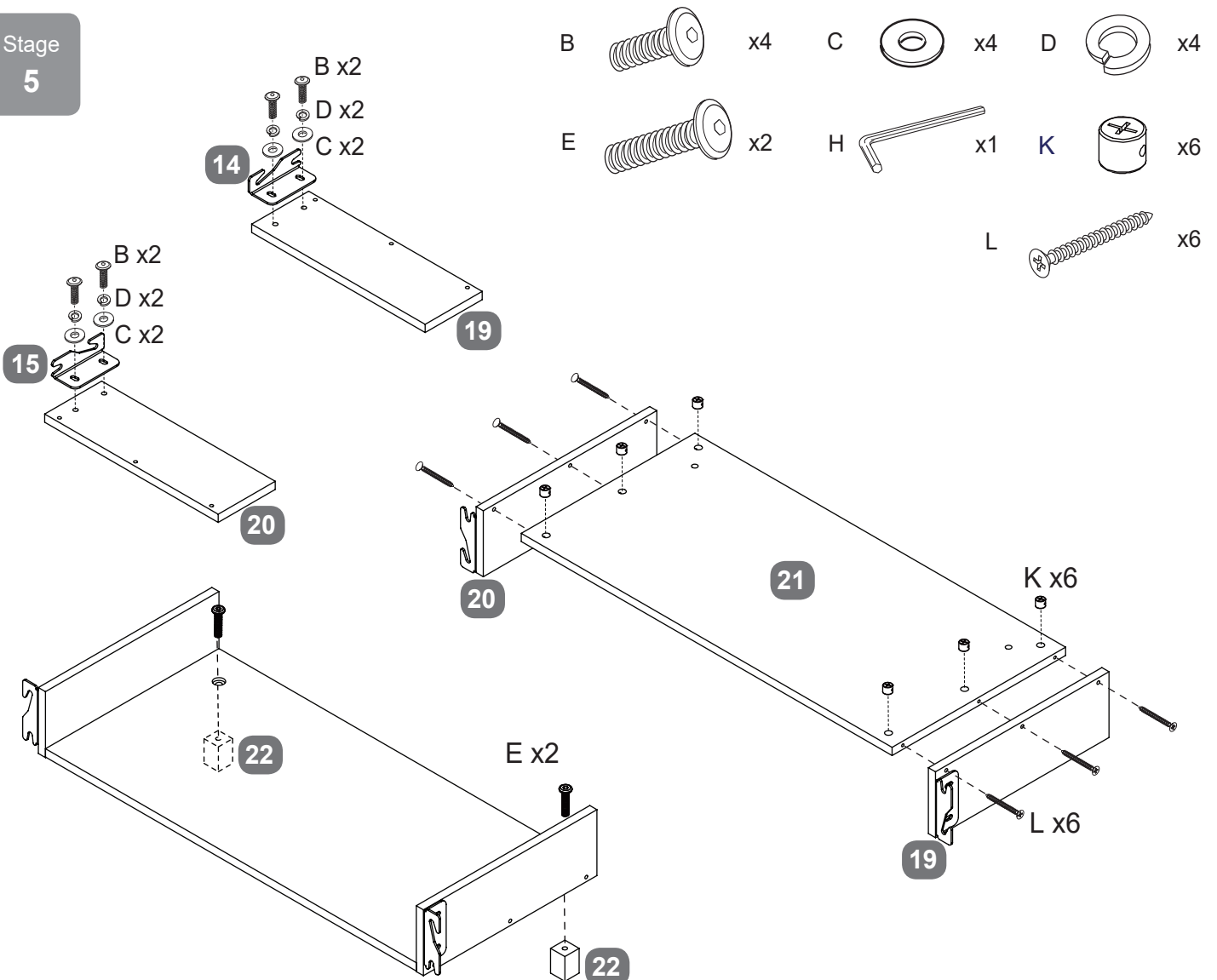
Stage

4



Stage

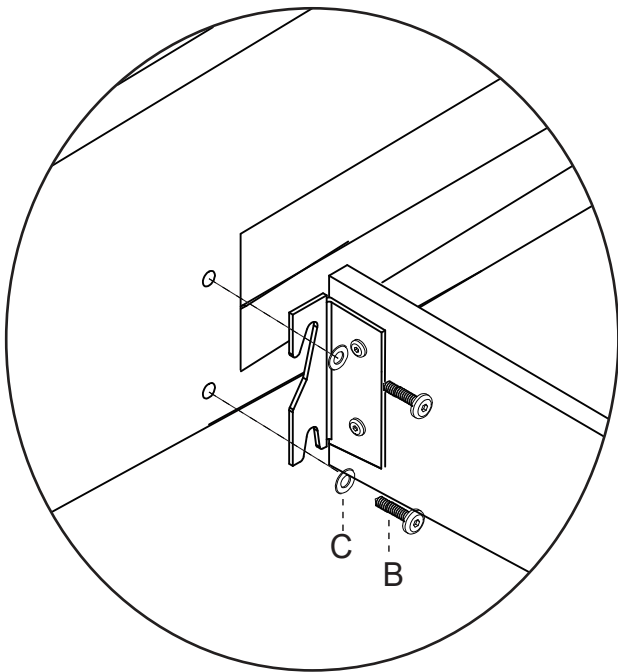
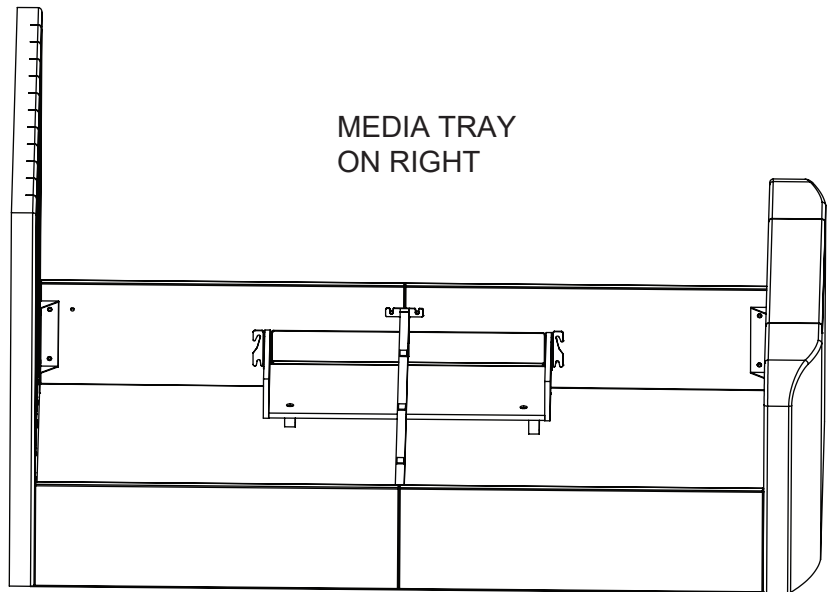
5



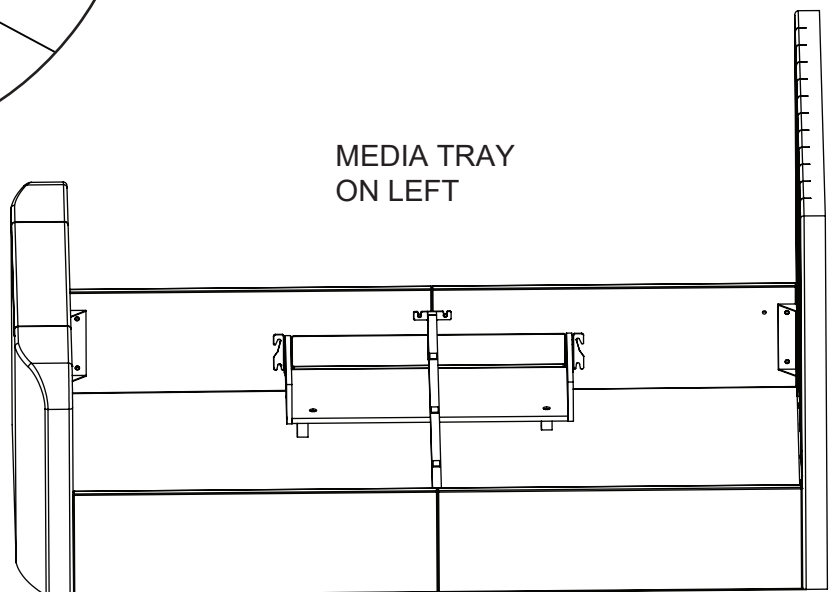
Bed Assembly

Stage
6

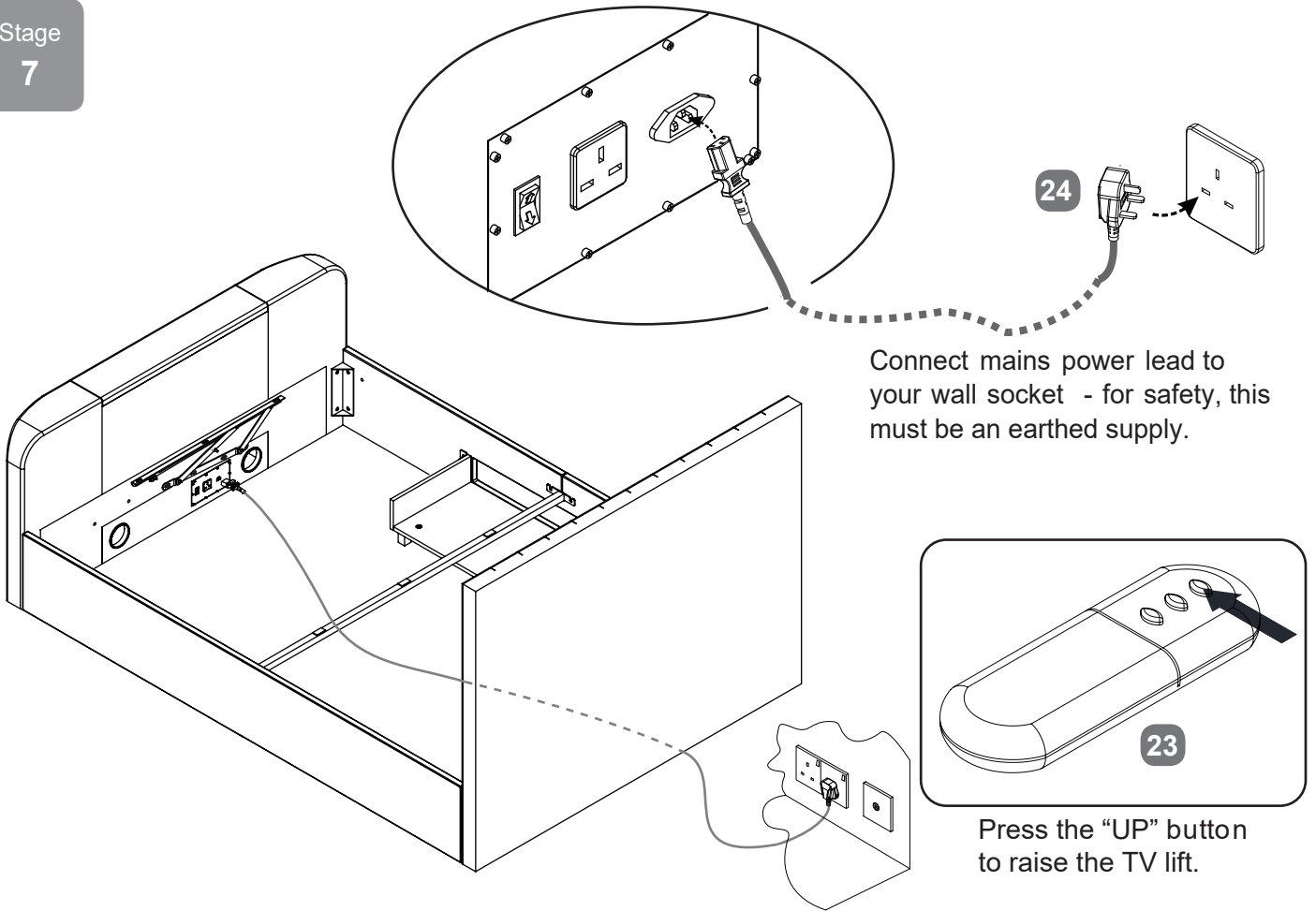
B  x4 C  x4 H  x1



OR

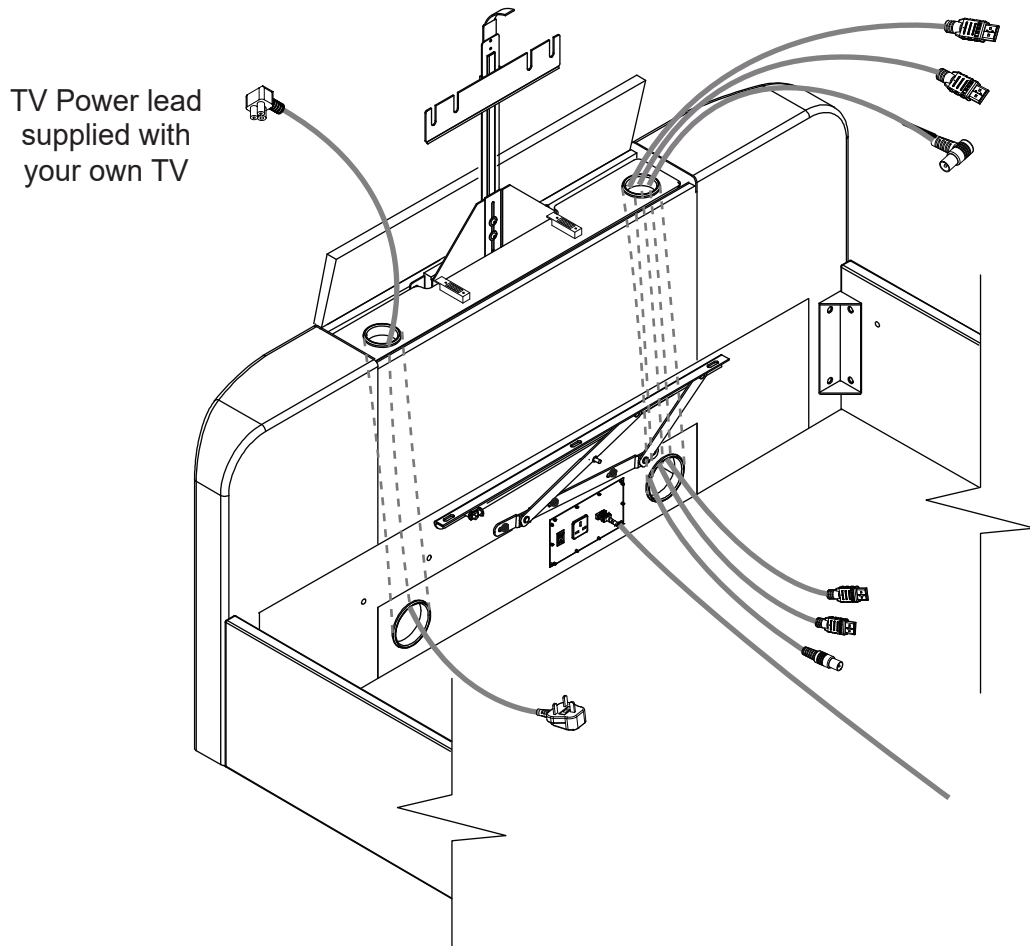


Stage
7



Stage
8

For illustration only, cables should be fitted to suit the positions of the ports in your own TV .
Media cables are not supplied.

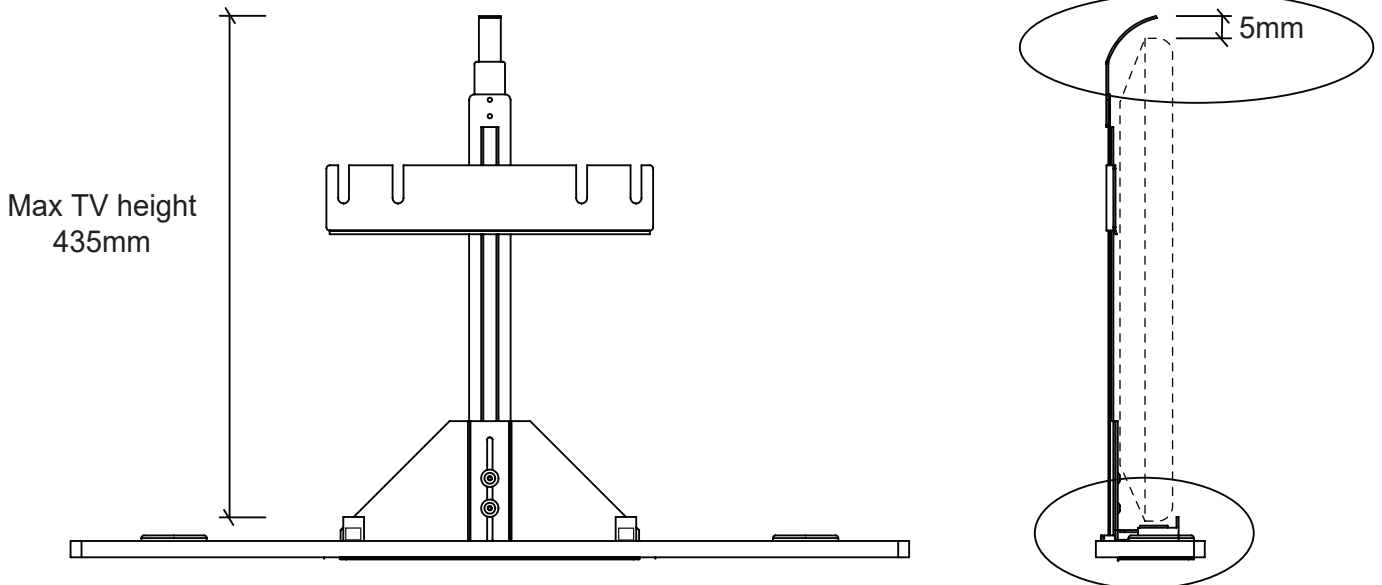


Stage
9

Product Information

- Upholstered Bed conforms to BS EN 1725 & BS 5852.
- TV Lift system has a maximum load capacity of 12 Kg
- Compatible with slimline LED television with a screen size of 32".
- Maximum TV dimensions W735 x H435 x D65 mm

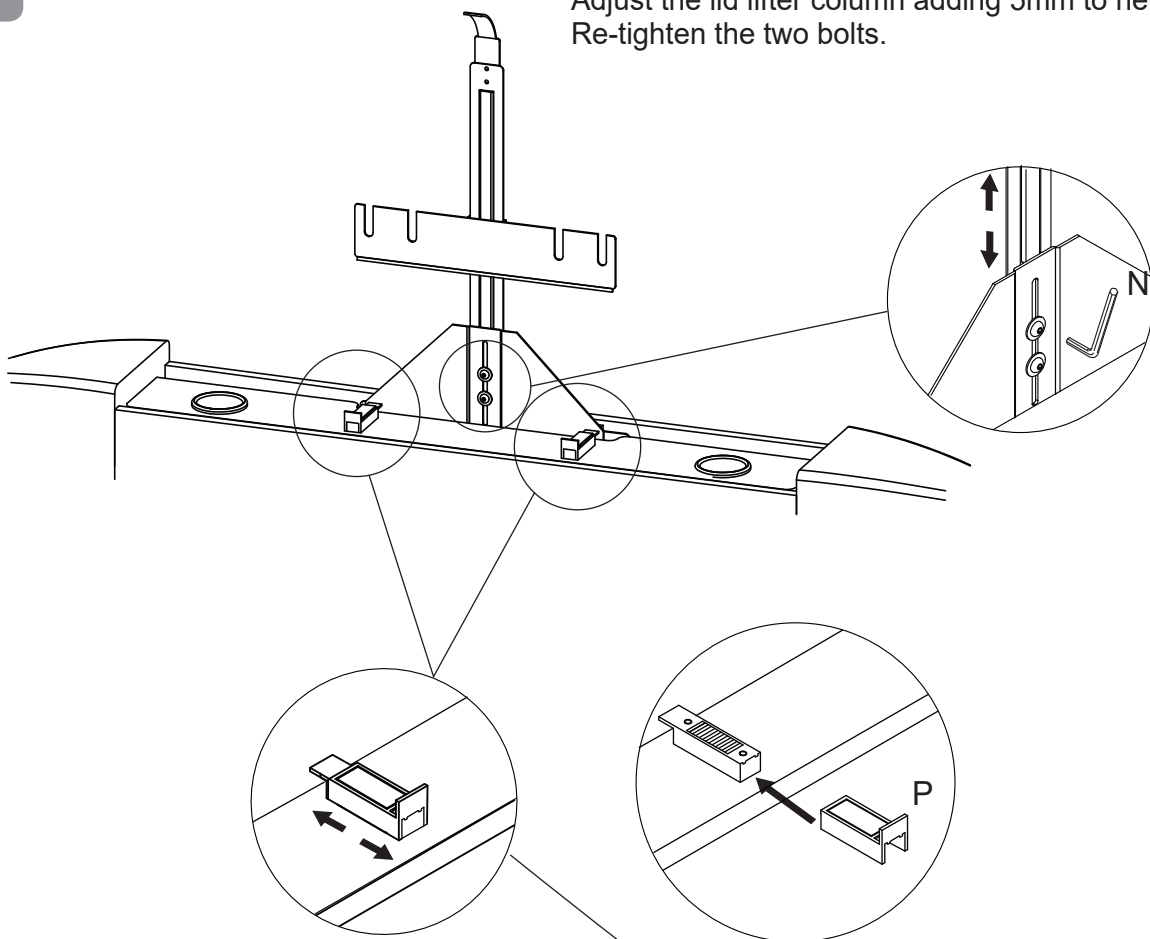
Height of TV is normally pre-set - follow this guide if it needs to be changed.



Stage
10

i) Loosen the two bolts.

Measure the height of the TV,
Adjust the lid lifter column adding 5mm to height of the TV.
Re-tighten the two bolts.



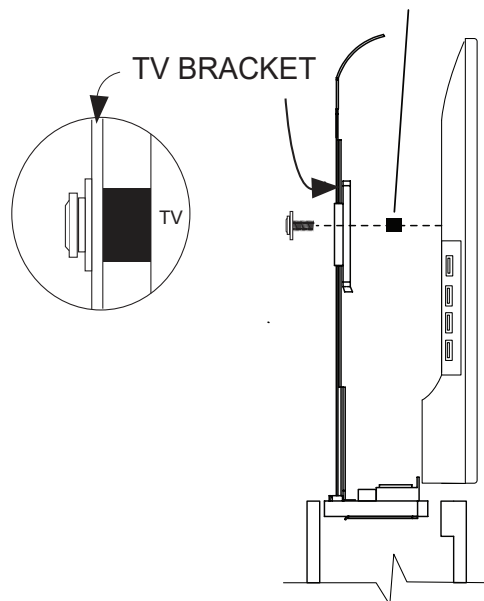
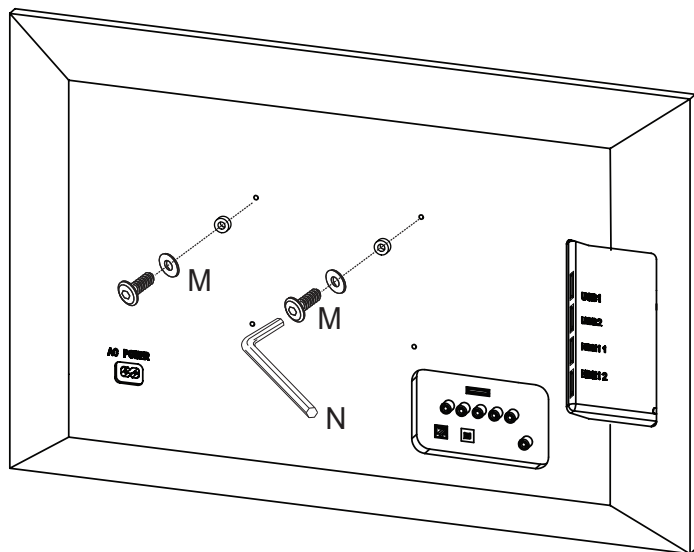
ii) The upper part of each support (P) slides to hold front of TV in place.

Please follow the instructions on how to correctly set these supports in Stage 11.

Fitting the television.

i) Check the hardware supplied with TV and if Vesa bolts and spacers are supplied please use these to fit your TV.

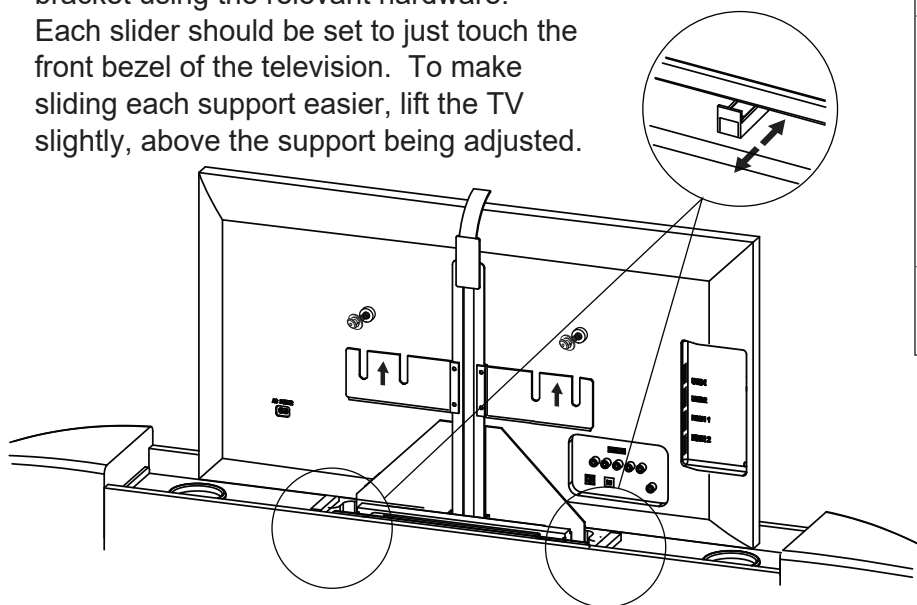
ii) When spacers are provided it is very important that these are fitted in the correct place, fit between TV & TV bracket, as in this sketch. These are needed to keep the TV screen vertical.



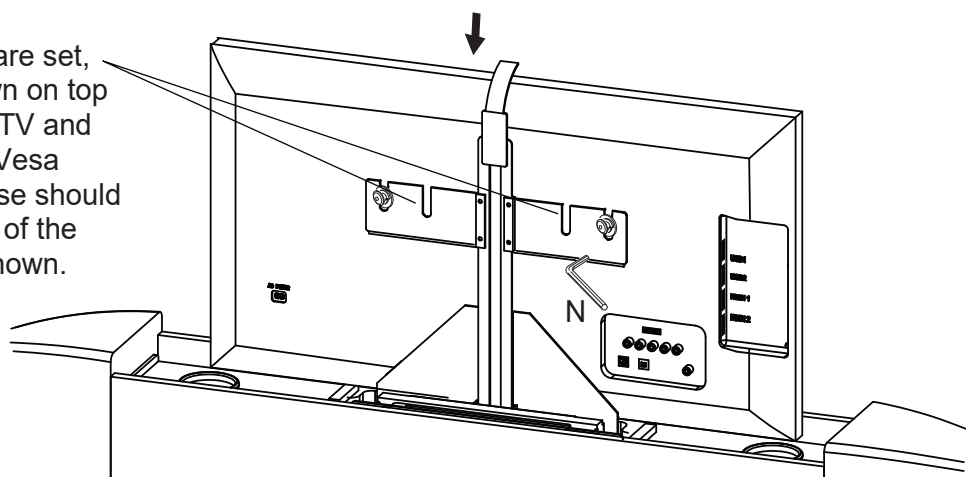
iii) To adjust the two TV supports (P), stand the TV in position and loosely secure it to the bracket using the relevant hardware. Each slider should be set to just touch the front bezel of the television. To make sliding each support easier, lift the TV slightly, above the support being adjusted.

If hardware is not supplied with the TV, choose suitable fittings from the TV Kit

| | | |
|---|--|--|
| M | Bolt sets (M8 x 25mm) | |
| | Countersunk screw sets (M6x12mm). Countersunk screw sets (M4x12mm). | |
| N | Allen Key (4mm). Allen Key (2.5mm). | |

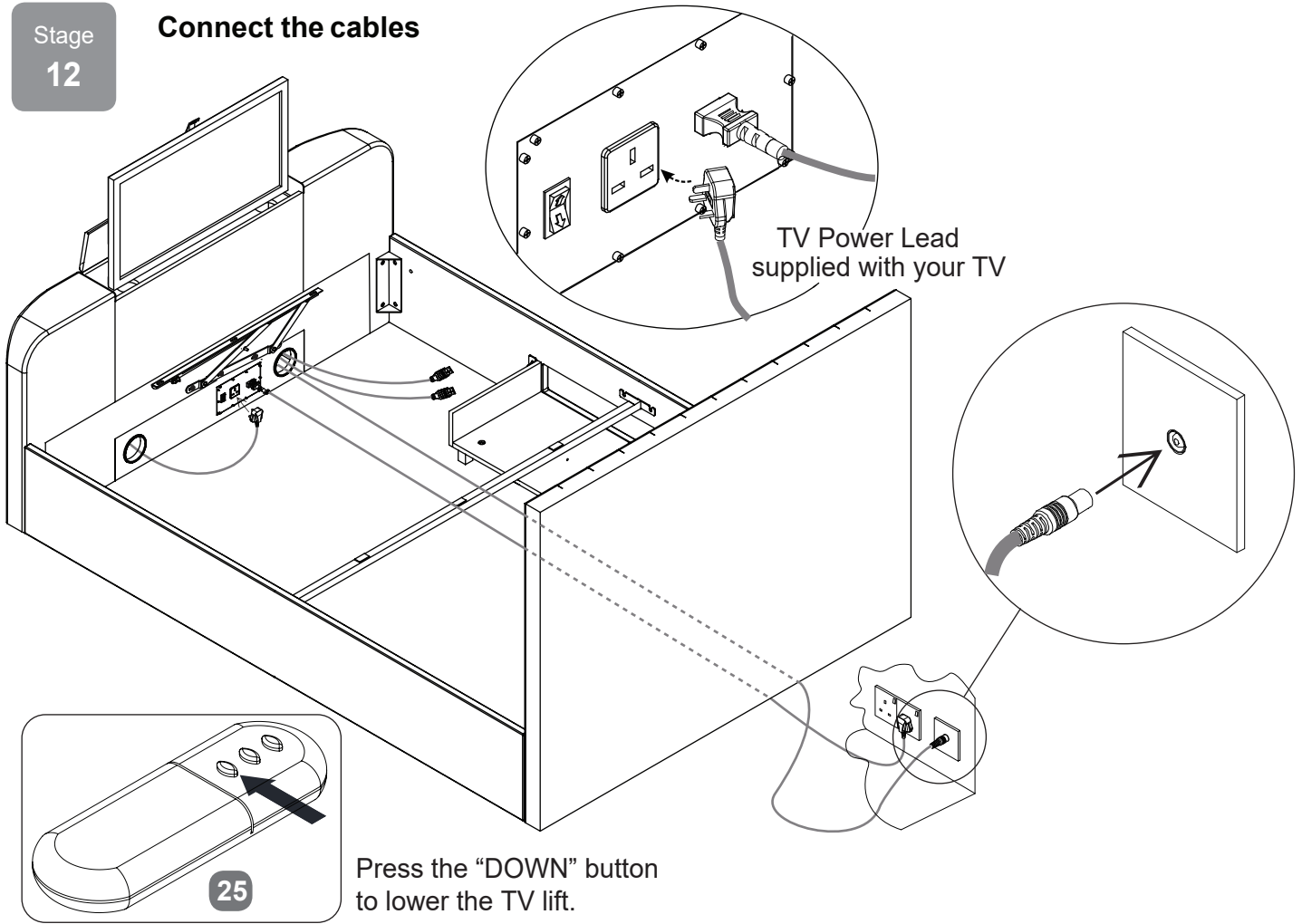


iv) Once supports are set, lightly push down on top of centre of the TV and tighten the two Vesa bolts 100%, these should be in the centre of the long holes as shown.










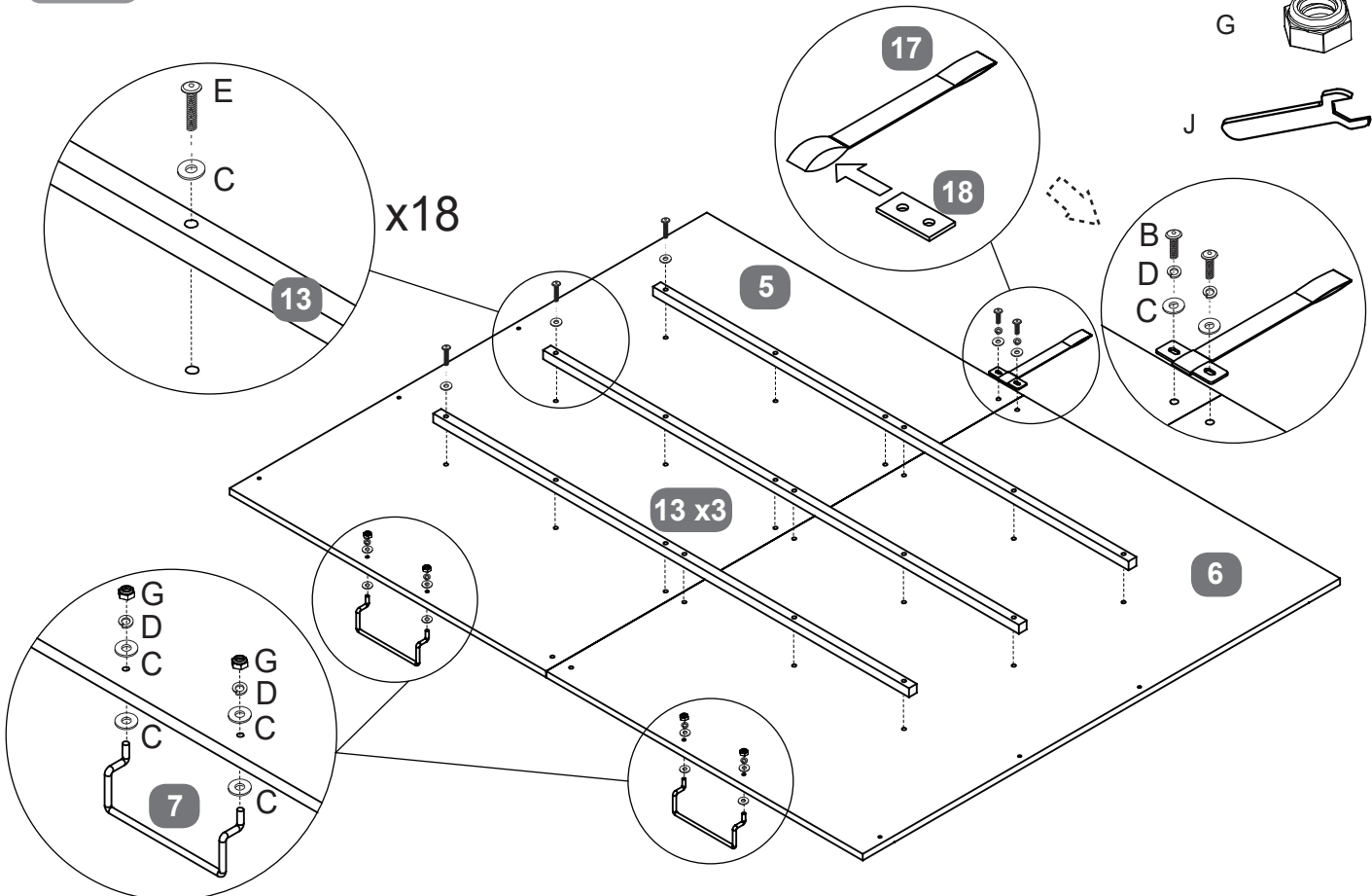
Stage
12

Connect the cables

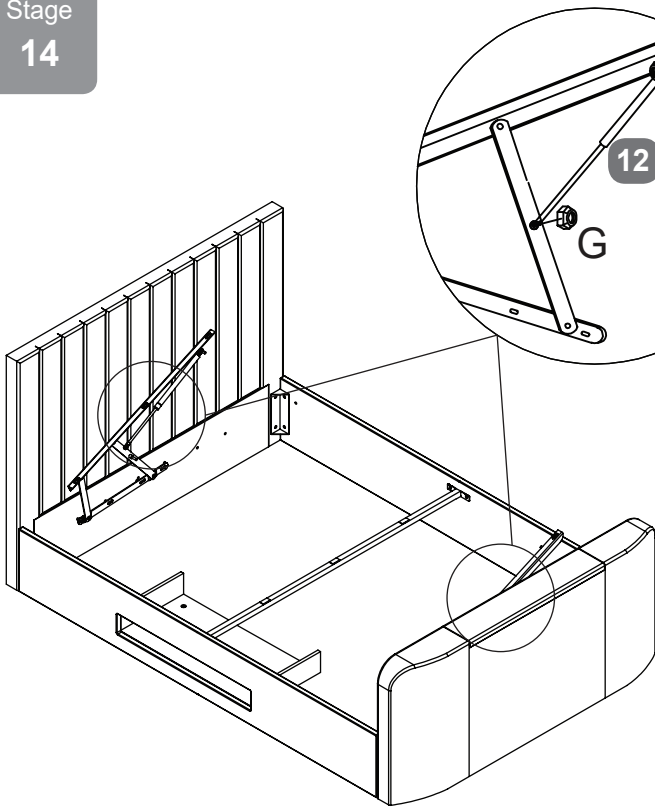


Stage
13

- B  x2 C  x28 D  x6 E  x18 H  x1
- G  x4
- J  x1

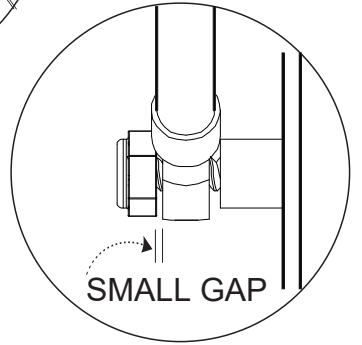


Stage
14



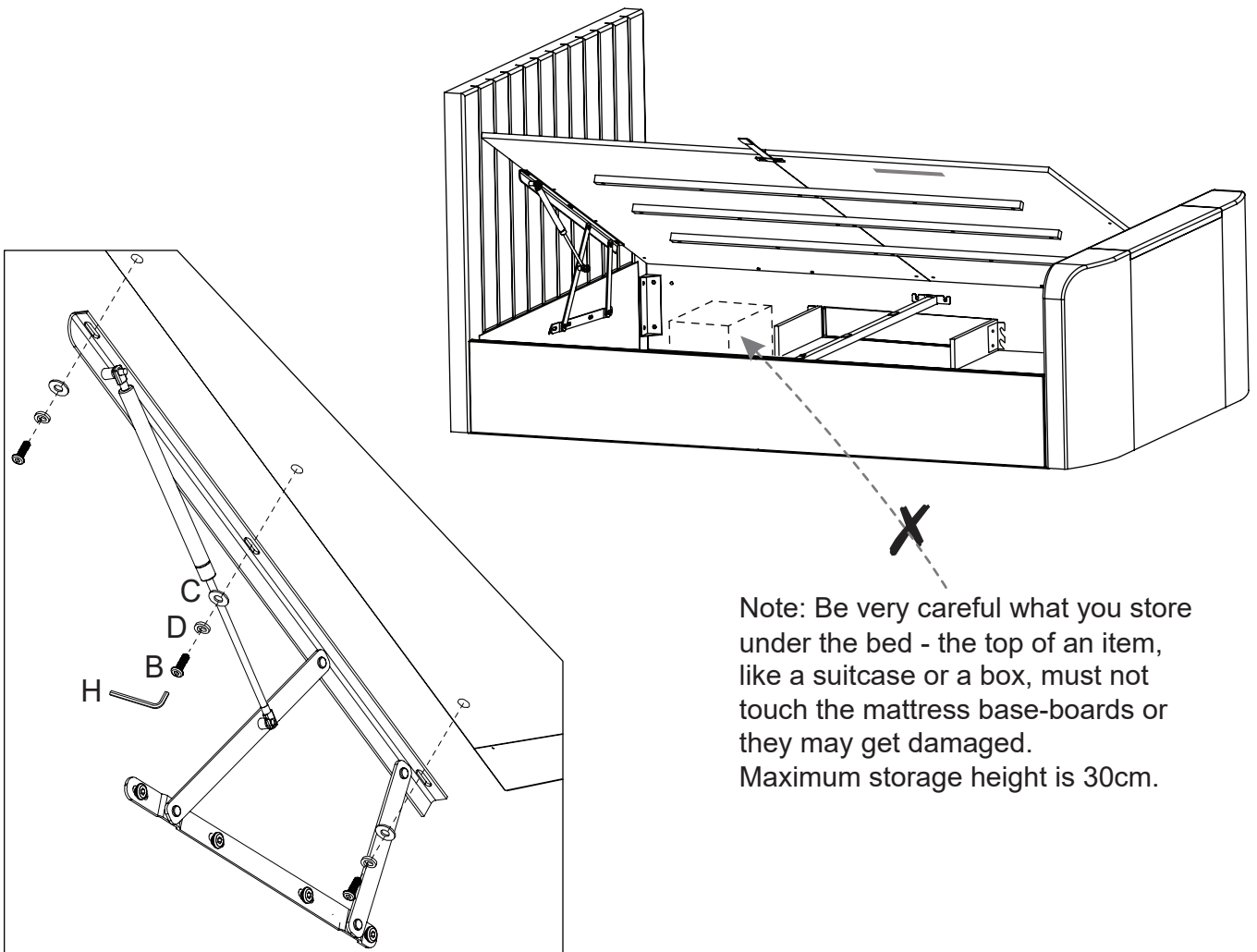
- G  x4 J  x1

A small gap must be left; this is important as the piston must be allowed to pivot.



Stage
15

- B  x6 C  x6 D  x6 H  x1



Note: Be very careful what you store under the bed - the top of an item, like a suitcase or a box, must not touch the mattress base-boards or they may get damaged.
Maximum storage height is 30cm.



Warnings

- o Before lifting the mattress base board, place a mattress in position.
- o Without a mattress in place, the speed of movement is quick and may cause injury so great care is needed.
- o Carefully lower the mattress base with the fabric hand-strap ensuring the edges of the boards are aligned with the outer edges of the side panels.
- o If not aligned, check bed is still square and if it is, but gaps are still not even, re-align.
- o Depending on the weight of the mattress, the rising speed will vary so be careful until you get used to the speed.
- o Always use the hand-strap to lift or lower the mattress base - keep fingers well away from the moving parts.

When the bed is fully assembled, and the mattress is in position, please raise & lower the ottoman slat-frame 4/5 times to ensure the gas pistons are fully lubricated.

Technical Specifications

Overall Dimensions (LWH)cm

Double: 216 x 138 x 114

King: 226 x 153 x 114

Storage Dimensions (LWH cm)

Double: 196 x 133 x 30

King: 206 x 148 x 30

Ottoman Piston Rating

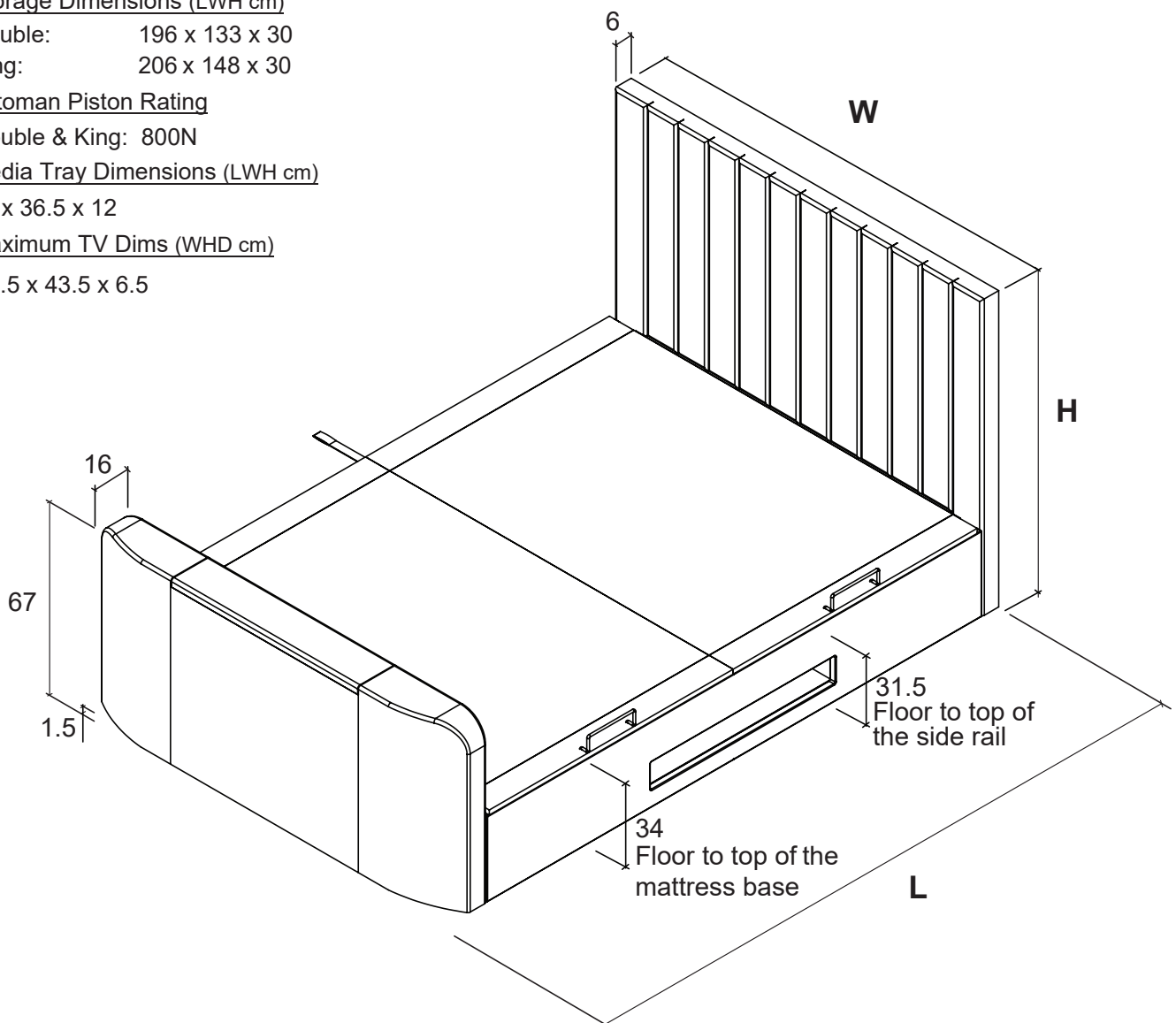
Double & King: 800N

Media Tray Dimensions (LWH cm)

81 x 36.5 x 12

Maximum TV Dims (WHD cm)

73.5 x 43.5 x 6.5



TV BED SAFETY INFORMATION

GENERAL INFORMATION

It is very important not to place any vessel containing liquids, e.g. drinks or vase of flowers on top of the TV footboard that may accidentally spill and enter the TV compartment as this could cause damage to the TV and/or the TV lifting equipment. If this happens turn off the power and contact your retailer.

Do not expose the bed to an undue level of heat - keep away from radiators.

Never allow anyone to sit on the foot end of the bed - keep children well away from moving parts.

To keep your bed clean, we recommend that it be wiped over with a slightly dampened cloth, or if fabric, use a light vacuum cleaner; disconnect power before cleaning.

Supplied with the bed is a remote control to operate the TV Lift and there will be one to operate the television itself. Both these remotes will be supplied with batteries - there are no batteries in the rest of the equipment.

When it is time to change the batteries there are strict controls for disposal of the old ones - your local council can advise on how to safely dispose of them. Never burn batteries on an open fire as they could explode.

IMPORTANT POWER INFORMATION

Before fixing the mattress baseboards to the bed, please follow the instructions below:

Plug in the main power supply lead supplied with your bed; this is packed inside the TV footend - Pack 2.

It is essential that this power lead is connected to an earthed socket be it a wall socket or extension lead - otherwise there is risk of damage or even electric-shock.

The wall socket providing the power must be accessible at all times in case you need to switch off the electric supply.

Power cable supplied with this bed or other approved mains powered extension leads used to power your equipment must not be placed where they can be walked on - this is dangerous and could lead to accidents.

Power outlets, extension leads or adapters must not be overloaded beyond their limit - this can result in fire or electric shock.

During an electrical or lightening storm - disconnect the power completely as a precaution.

Always un-plug the power when going on holiday or when the bed is not used for an extended period.

If you have young children in the home always disconnect the power at the wall socket for extra safety.

Do not interfere with or modify any cables already fitted and do not add any media cables unless they are routed through the ducts as shown. All leads must be tightly connected to back of TV, never hanging loose where they can get trapped.

Never touch moving parts or any part of the equipment - if something needs to be checked, disconnect the power first.

Do not insert anything into the footboard as this could seriously damage the TV and/or the TV lifting equipment and could, if done carelessly, cause serious damage or injury.

If the equipment doesn't operate normally or if there is any unusual noises, disconnect the power and contact your retailer for advice.

TELEVISION INFORMATION

Please follow the assembly steps for initial operation of the TV Lift, your TV and any media cables required.:

Push the television power plug (supplied with your own TV), into it's own special socket which is on the face of the footboard clearly shown in the instructions. For safety and to prevent overheating, this socket is only to be used for the television as it does not have a constant power supply.

Raise the TV Lift by pressing the UP button of the remote control.

If required you can connect media cables the television ports.

Please use the cable clips & cable ties to make certain there are no loose wires to snag or get trapped.

The television can now be operated following the TV User Guide.

When finished viewing, lower the television back into the footboard by pressing the DOWN button of the remote control.

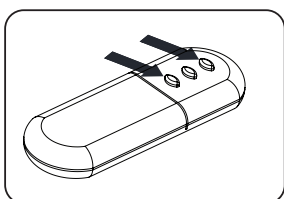
For safety and to stop any overheating, power to the television is switched off on the way down.

When the UP button is pressed - the TV Lifting Column rises and power is turned back on automatically.

TROUBLE SHOOTING

- o If your equipment does not operate please check all the electrical connections to the wall socket and check that electricity is reaching the main power input plug bringing power to the footboard.
- o Make sure TV is switched on but note that the television will only work when it is in the up position.
- o Check that the remote control has not lost its connection with the TV Lift - please see below.

Occasionally you may find the radio wave connection between remote control and TV Lift is lost, usually due to atmospheric conditions. In that case please follow these simple instructions:



1. Disconnect all mains electric power to the bed, for at least 60 seconds.
2. Press UP or DOWN Button on Remote Control and keep holding button down, simultaneously re-connect mains electric power to bed keeping button down for at least a further 5 seconds. TV Lift unit receives signal from the remote control and lift will begin to move UP or DOWN whichever direction is selected.
3. Re-connection is now completed.

IMPORTANT: Care should be taken when connecting electrical items. If you are in any doubt about the connections please consult an approved electrician. If you still have a problem please contact your retailer for advice.